

ST696

OPTO-ISOLATOR

USER INFORMATION

(ST541041-001)

INSTALLATION

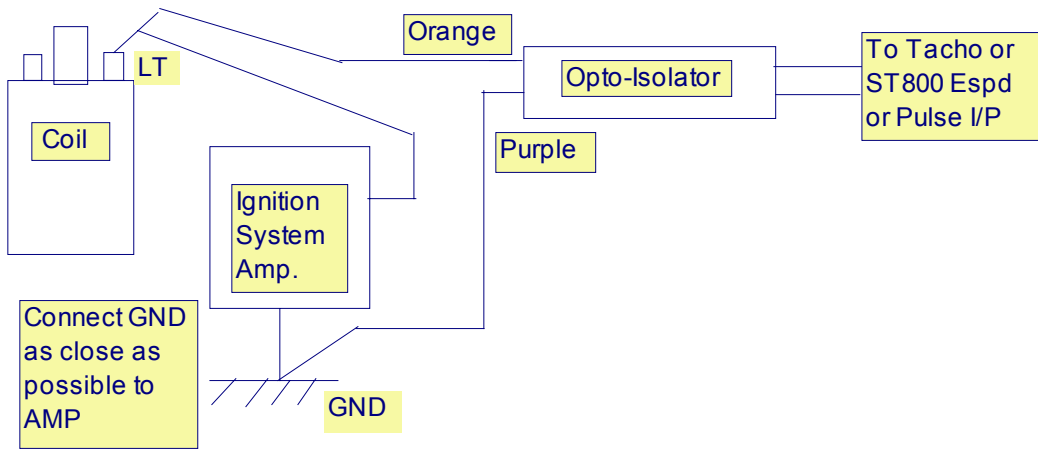
The ST696 opto-isolator is designed to interface an ignition system to a Stack tachometer or data logging system. It should be used in cases when the output of the ignition system is not compatible with the input in to the Stack system.

CONNECTION

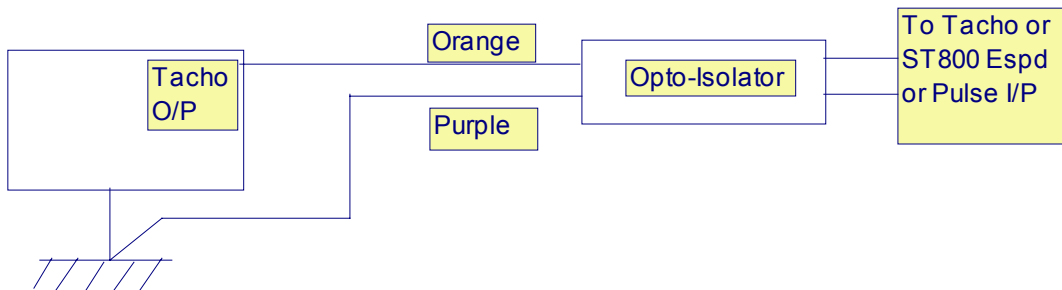


Input Connections

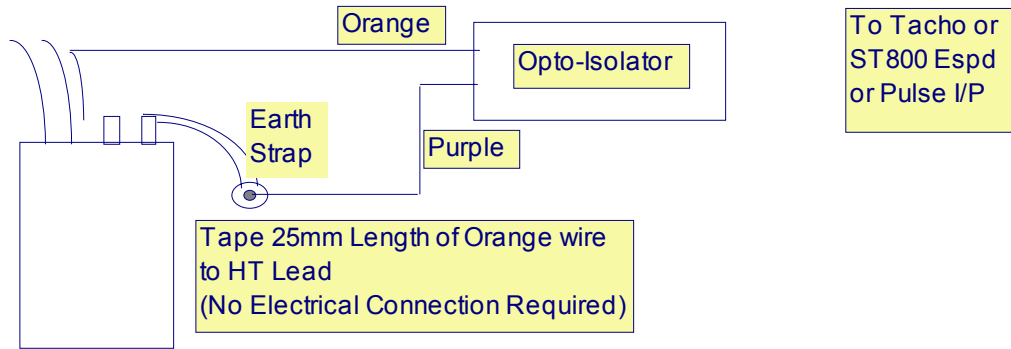
The connection to the ignition system depends upon the ignition system itself. Here are a few examples.



MSD Ignition

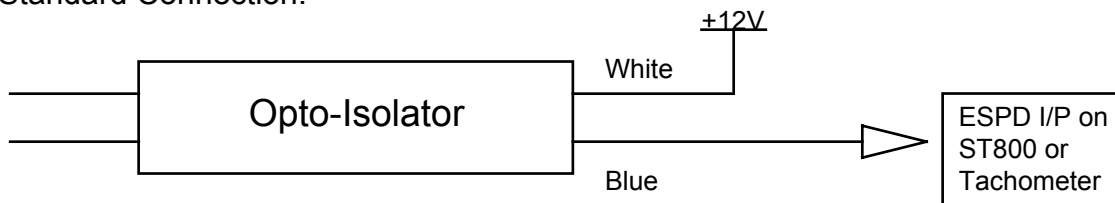


MotorPlat Connections



Output Connections

Standard Connection:



OR:

