

MFD

The most flexible, highest specification, lowest priced Configurable Dash Display available!

The new Multi-function Dash Display System combines the proven benefits of integrated STACK Display systems with the latest STACK Multi-Function Technology.

A clear to read display system with fast, accurate analog dial face and the clear, back-lit LCD display forms the base system.

Sequential Shiftlight
Separate module gives the optimum placement regardless of the display system.

Clear Display
The Backlit LCD uses the latest Transflective technology for guaranteed visibility in both bright sunlight and complete darkness.

Easy to use
Stack display systems combine both an analogue tachometer dial with an integrated digital LCD display. The Stack stepper motor technology provides extremely accurate dial movement.

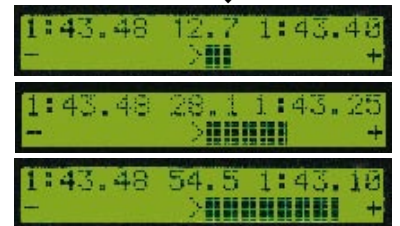
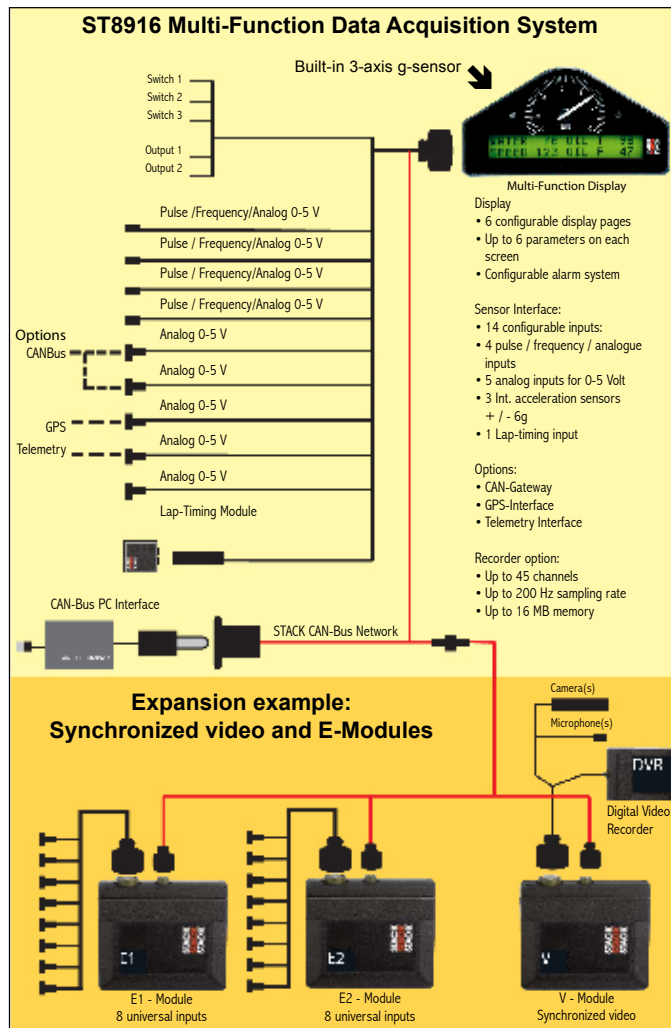
Configurable Alarm System
Fully configurable alarms alert driver by display messages and/or warning LEDs.

Additional display features
Lap time, Lap number and the best time.

Configurable LCD Display
Choose 2, 4 or 6 parameters per page display

Stack's patented "Performance" Expansion
Includes Predictive lap time advance calculation which provides the driver with a constantly updated, highly accurate prediction of the next lap time!

Superior build quality
For all types of racing, Stack Dash Display systems provide unrivalled display clarity and performance.



- Multi-function display function activated by PIN number
- Fully configurable LCD
- Fully configurable alarm system
- 14 standard inputs
- Integrated acceleration sensors
- Integrated Data Recording option
- Integrated CAN-Interface option
- Integrated GPS-Interface option
- Integrated Telemetry-Interface option
- Easy configuration via "drag & drop"
- Integrated switches and alarm lights
- Sequential Shift-light (optional)
- Expandable up to 45 inputs
- Complete system "ready out of the box" including wiring harness, laptime receiver, speed sensor & USB interface.

ST8916S MFD Multi-Function Display-Logger

Clubman ClubmanPlus Semi-Pro Pro

DATA RECORDING

| | | | | |
|--|------|------|------|------|
| Number of recording channels | 14 | 24 | 34 | 45 |
| Maximum Sample Rate (Hz) | 200 | 200 | 200 | 200 |
| Individual sample rate on each channel | ✓ | ✓ | ✓ | ✓ |
| Total Recorder samples per second | 4000 | 4000 | 4000 | 4000 |
| No of channels @ max. sampling rate | 20 | 20 | 20 | 20 |
| Standard memory size (MB) | 32MB | 32MB | 32MB | 32MB |

DATA DOWNLOAD OPTIONS

| | |
|--|---|
| System Configuration by direct connection to PC USB Port | ✓ |
| Data Download by direct connection to PC USB Port | ✓ |

SENSOR INPUT OPTIONS

| | |
|---|---|
| Total no of standard input channels | 15 |
| Maximum no of input channels supported | 45 |
| Pulse (<3kHz) or 0-5 Volt analogue (10 bit) or thermocouple (using DSP interface) | 4 (1 x wheel speed sensor supplied as standard) |
| 0-5 Volt analogue (10 bit resolution) | 5 |
| Internal accelerometers (x-y-z) | 3 Axis +/- 6g (Lateral/Longitudinal/Vertical) |
| Lap timing input | ✓ (Includes ST543 Infra-red receiver) |
| Battery Voltage input channel | ✓ |
| Sensor harness with 19 pin MIL-STD connector | ✓ |
| Control switch inputs & outputs | 3 & 2 |
| Starter sensor pack (2 x pressure, 2 x temperature, all solid-state) | Option |
| CAN interface, e.g. ECU (1 stream, 40 channels) (Up to 3 CAN interface max) | Option |
| GPS interface (1 stream, 16 channels) | Option |
| Telemetry interface (supports radio modems or GSM cellular modems) | Option |

DISPLAY FEATURE OPTIONS

| | |
|---|---|
| Analogue tachometer (0-8000, 0-3-8000, 0-3-10500, 0-4-10000, 0-6-13000) | Specify dialface range at time of order |
| Inverted analogue tachometer (0-3-8000, 0-4-10000, 0-6-13000) | Specify dialface range at time of order |
| Multi-parameter Backlit LCD display | ✓ |
| Backlighting | ✓ |
| Lap time readout | ✓ |
| Peak value tell-tales | ✓ |
| Shift light internal | ✓ |
| Configurable display layout | ✓ |
| Configurable alarms on LCD Display and/or internal/external warning lamps | ✓ |
| Preconfigured display setup library | Option |
| Shift light external (single stage) | Option |
| Shift light external (sequential 5-stage) | Option |
| Predictive Lap Time and Performance Meter Displays | Option |
| Brake Bias Display (requires 2 x brake pressure sensors on network) | Option |

VIDEO INTERFACE OPTIONS

| | |
|---|--------|
| Synchronized Video Support | Option |
| Synchronized Video Compare | Option |
| Video Data Overlay Support | Option |
| Performance Meter and Predictive Lap Time Displays on Video Overlay | Option |
| Max No. of Video Overlay Display channels | 20 |
| Configurable Alarms on Video Data Overlay | Option |
| Peak Value Recall on Video Data Overlay | Option |
| Auto Camcorder Control (LAN-C) | Option |

SENSOR INPUT EXPANSION OPTIONS

| | |
|---|--------|
| Additional 10 Input 'MF' Multi-Function Expansion Module | Option |
| Additional 20 Input 'MF2' Multi-Function Expansion Module | Option |
| Additional 8 Universal configurable sensor inputs (Expansion 'E' modules) | Option |
| 2nd CAN ECU Interface on 'MF' or 'MF2' module | Option |
| Network Expansion Harness (required for more than one expansion module) | Option |

ANALYSIS SOFTWARE

| | |
|--|--------|
| DataPro V5 "Standard Edition" (MS Windows XP & Vista Compatible) | ✓ |
| DataPro V5 "Semi-Pro Edition" (includes Rainbow Maps, User Sensor Manager) | Option |
| DataPro V5 "Pro Edition" (as "Semi-Pro" plus Maths Package) | Option |
| Logbook - User-configurable with full search functions | ✓ |