

# MFR

Powerful, scalable single module data acquisition solution.



- Individual recording channel configuration - 1 to 200Hz
- Better resolution - 10 bit analogue/16 bit digital inputs
- More sensor inputs - Up to 45, 15 built-in
- Built-in 3-axis +/-6g g-sensor
- Built-in CAN ECU link

Stack's powerful data recording system consists of a single multi-function module containing hardware already installed to provide a wide variety of data acquisition functions. Use with Stack's powerful but easy-to-use DataPro data analysis software for a flexible and customised remote data solution.

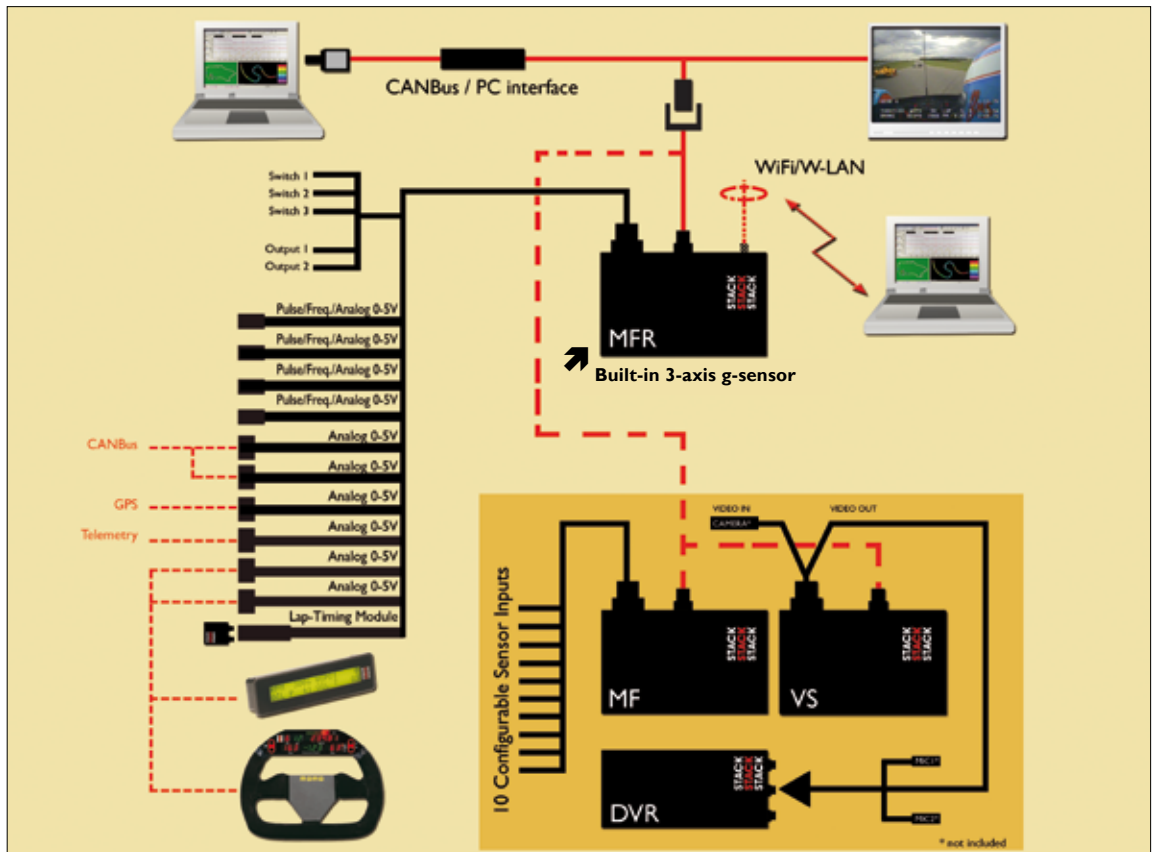


### WiFi (W-LAN Download)

Enjoy the power and convenience of wireless data acquisition!

The STACK WiFi (W-LAN) feature enables the transfer of recorded data to a PC, as well as wireless configuration of the system.

The connection works on the 802.11b/g standard and depending on the antenna has a range of up to 100 metres.



## ST8956S / ST8956W WiFi MFR Multi-Function Recorder

	Clubman	ClubmanPlus	Semi-Pro	Pro
<b>DATA RECORDING</b>				
Number of recording channels	14	24	34	45
Maximum Sample Rate (Hz)	200	200	200	200
Individual sample rate on each channel	✓	✓	✓	✓
Total Recorder samples per second	4000	4000	4000	4000
No of channels @ max. sampling rate	20	20	20	20
Standard memory size (MB)	32MB	32MB	32MB	32MB
<b>DATA DOWNLOAD OPTIONS</b>				
System Configuration by direct connection to PC USB Port			✓	
Data Download by direct connection to PC USB Port			✓	
Data Download over Wi-Fi (W-LAN) Wireless Network			✓	
Wi-Fi (W-LAN) Compatibility (ST8956W only)			802.11b/g	
Maximum Wireless Download Range (subject to antennae) (ST8956W only)			100m / 300ft	
Auto-Alarms on downloaded data			Option	
Multicar Wi-Fi Auto-download Server			Option	
<b>SENSOR INPUT OPTIONS</b>				
Total no of standard input channels			15	
Maximum no of input channels supported			45	
Pulse (<3kHz) or 0-5 Volt analogue (10 bit) or thermocouple (using DSP interface)			4	
0-5 Volt analogue (10 bit resolution)			6	
Internal accelerometers			3 Axis +/- 6g (Lateral/Longitudinal/Vertical)	
Lap timing input			✓	
Battery Voltage input channel			✓	
Sensor harness with 19 pin MIL-STD connector			✓	
Control switch inputs & outputs			3 & 2	
CAN interface, e.g. ECU (1 stream, 40 channels) (Up to 3 CAN interface max)			Option	
GPS interface (1 stream, 16 channels)			Option	
Telemetry interface (supports radio modems or GSM cellular modems)			Option	
<b>DISPLAY FEATURE OPTIONS</b>				
Multi-parameter Backlit LCD display			Option	
Multi-parameter LED Steering Wheel Display			Option	
Lap time readout			Option	
Peak value tell-tales			Option	
Configurable display layout			Option	
Configurable Warning Alarms on external Alarm Light			✓ (Plus alarm messages with Option)	
Preconfigured display setup library			Option	
Shift light external (single stage)			Option	
Shift light external (sequential 5-stage)			Option	
Predictive Lap Time and Performance Meter Displays			Option	
Brake Bias Display (requires 2 x brake pressure sensors on network)			Option	
<b>VIDEO INTERFACE OPTIONS</b>				
Synchronized Video Support			Option	
Synchronized Video Compare			Option	
Video Data Overlay Support			Option	
Performance Meter and Predictive Lap Time Displays on Video Overlay			Option	
Max No. of Video Overlay Display channels			20	
Configurable Alarms on Video Data Overlay			Option	
Peak Value Recall on Video Data Overlay			Option	
Auto Camcorder Control (LAN-C)			Option	
<b>SENSOR INPUT EXPANSION OPTIONS</b>				
Additional 10 Input 'MF' Multi-Function Expansion Module			Option	
Additional 20 Input 'MF2' Multi-Function Expansion Module			Option	
Additional 8 Universal configurable sensor inputs (Expansion 'E' modules)			Option	
2nd CAN ECU Interface on 'MF' or 'MF2' module			Option	
Network Expansion Harness (required for more than one expansion module)			Option	
<b>ANALYSIS SOFTWARE</b>				
DataPro V5 "Standard Edition" (MS Windows XP & Vista Compatible)			✓	
DataPro V5 "Semi-Pro Edition" (includes Rainbow Maps, User Sensor Manager)			Option	
DataPro V5 "Pro Edition" (as "Semi-Pro" plus Maths Package)			Option	
Logbook - User-configurable with full search functions			✓	